

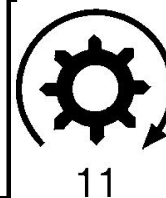
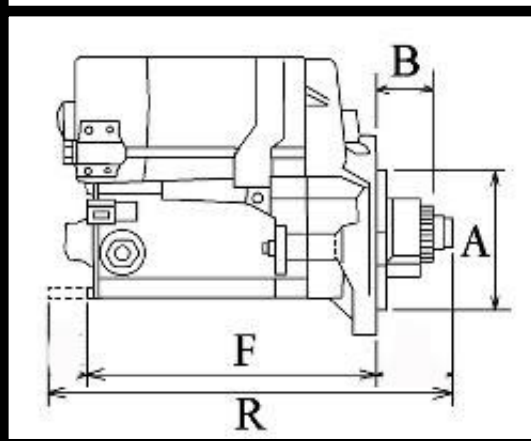
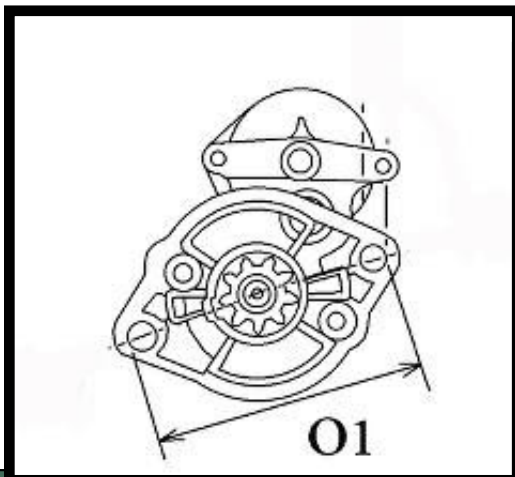


|  |  |
|--|--|
|  |  |
|  |  |
|  |  |
|  |  |
|  |  |
|  |  |
|  |  |
|  |  |

**YANMAR:** 119620-77011;

**DENSO:** 128000-1150; 128000-1151; 128000-1152

**JOHN DEERE:** AM100807; AM100809



|  |  |
|--|--|
|  |  |
|  |  |
|  |  |
|  |  |
|  |  |
|  |  |
|  |  |
|  |  |
|  |  |